



POWER JACKS

The B050 - Rolaram actuator is a range of high duty, high performance actuators capable of continuous duty at full rated load. The actuators are configured with a double clevis end (or other mounting) and parallel motor arrangement. The actuators are electrically powered with the ability to lock the drive in situation with a conventional brake.



B050 - Rolaram

Features

Capacity:	25kN maximum.
Linear Speed	Up to 1600 mm/min at full rated load. Up to 5550 mm/min at reduced load.
Stroke	Up to 1m as standard. Over 1m on request.
Duty rating	Continuous at rated load.
Dynamic Ball Screw Drive	High efficiency ball screw, 2 leads as standard. All with integral Safety Device as standard. Options for zero or reduced backlash.
Motor (Braked)	AC, DC or Servo brake motors available with encoder & forced ventilation.
Motor Mounting	Parallel as standard. Right angle and in-line optional.
Flexible Gearbox Design	6 standard gear ratios, up to 44 gear ratios available.
Actuator Mounting	Gearbox - Clevis End, Fork End, Trunnions, Base Plate. Ram - Clevis End, Fork End, Rod Eye, Threaded End, Top Plate.
Actuator Ram	Plated to prevent corrosion with integral seals and guides. Available with two standard anti-rotation devices to suit duty cycle.
Limit Switches	Full range of non-contact and contact systems available.
Enclosure Rating	IP55 as standard, others available on request.
Control	Control solutions available for 1 ⇌ 32 axis systems.



B050

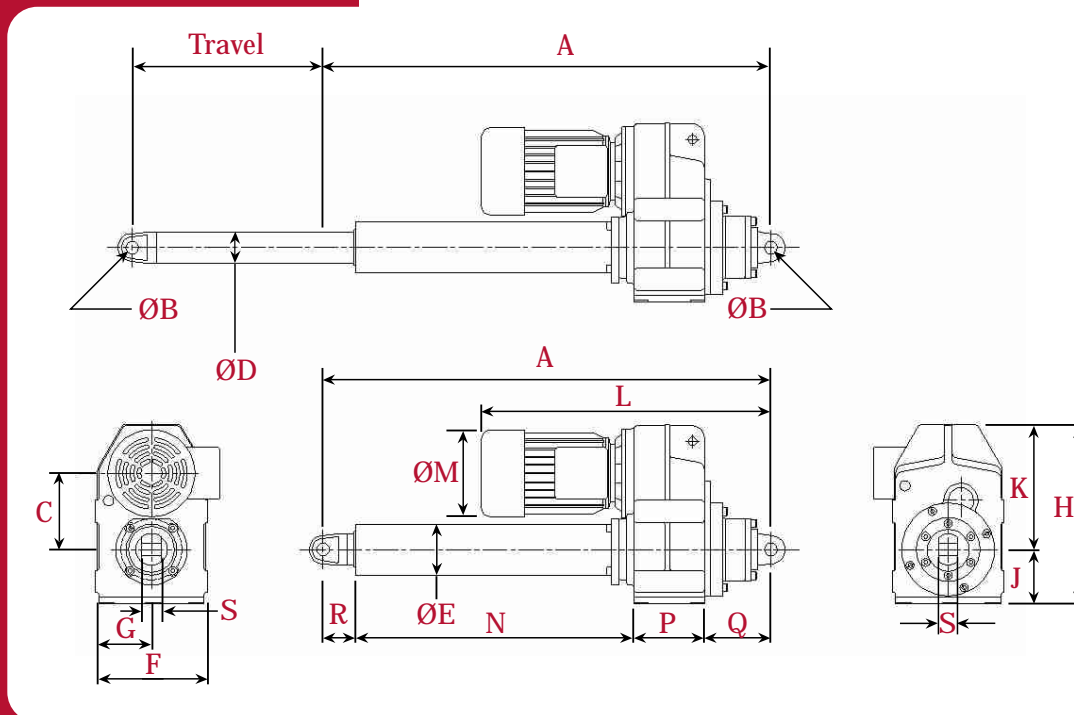
- Actuator Technical Details

Performance

All details for a 10 mm lead ball screw (20 mm lead available on request), 10,000 hour ratings. For full product specifications consult Power Jacks.

Linear Speed (mm/min)	Dynamic Load (kN)	3 Phase AC Motor			Gear Ratio (Nominal)
		Frame Size	Power (kW)	No. of Poles	
260	13.0	63	0.18	4	50
550	10.0	63	0.37	2	50
700	9.5	80	0.37	6	12
1080	8.0	80	0.55	4	12
1560	7.0	80	0.75	4	9
2150	6.5	80	0.75	2	12
2750	6.0	80	0.75	4	5
3600	5.5	80	0.75	2	8
5550	4.5	80	1.1	2	5

Dimensions



Frame	A	B	C	D	E	F	G	H
63	432 + Travel	20 H8	120	50	80	176	88	282
71	432 + Travel	20 H8	120	50	80	176	88	282
80	432 + Travel	20 H8	120	50	80	176	88	282

Frame	J	K	L	M	N	P	Q	R	S
63	85	197	471	122	160 + Travel	112	110	50	25
71	85	197	499	137	160 + Travel	112	110	50	25
80	85	197	543	158	160 + Travel	112	110	50	25



Power Jacks Limited

South Harbour Road Fraserburgh AB43 9BZ

Tel: 01346 513131 Fax: 01346 516827

email: sales@powerjacks.com <http://www.powerjacks.com>



Certificate No. FM23810