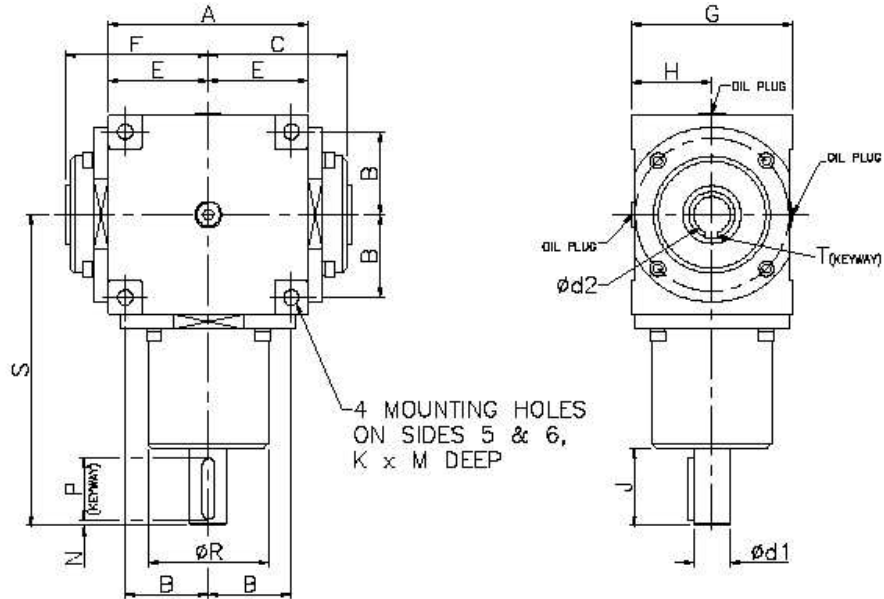
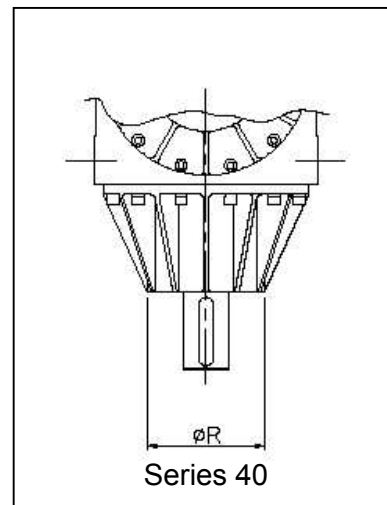
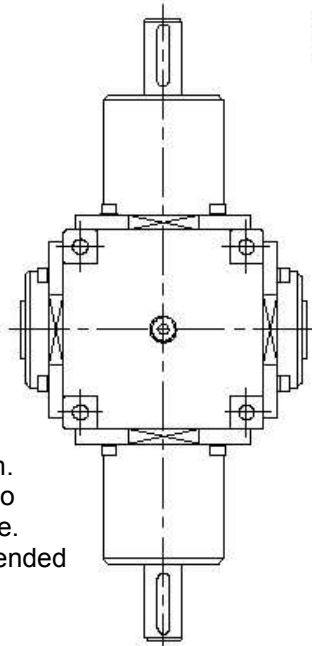


NEETER DRIVE GEARBOX DIMENSIONS

Range N - Series 35 → 40 All Gear Ratios Hollow Output Shafts



TAPPED HOLE IN END OF EACH SOLID
DRIVE SHAFT — DETAIL "V"



Note:

1. All dimensions in mm.
2. Dimensions subject to change without notice.
3. ** See Series 40 extended input housing detail.

Series	A	B	C	Ø d1 js6	Ø d2 H7	E	F	G	H	J	K	M	N	P key to BS4235: Part 1: 1972	ØR	S	T key to BS4235: Part 1: 1972	V
35	90	36	64	19	19	45	67	92	46	41	M8	12	6	6 x 6 x 36	61	143	6 x 6 x 134	M6 x 16mm Deep
37	130	54	90	24	24	65	93	105	52.5	50	M10	20	8	8 x 7 x 40	78	203	8 x 7 x 186	M8 x 25mm Deep
38	156	57	104	32	32	78	107	143	71.5	61	M10	20	10	10 x 8 x 50	92	222	10 x 8 x 214	M10 x 25mm Deep
39	198	76	134	48	48	99	137	190.5	95.25	76	M12	25	14	14 x 9 x 70	118	299	14 x 9 x 274	M12 x 30mm Deep
40	280	114	165	60	60	140	168	293	146	102	M16	30	18	18 x 11 x 90	152**	388	18 x 11 x 336	M16 x 38mm Deep

Neeter Drive

tel: +44 (0) 1346 513131 fax: +44 (0) 1346 516827

email: neeterdrive@powerjacks.co.uk

web: www.neeterdrive.co.uk