



MULTIPLE ACTUATOR CONFIGURATIONS

Typical System Configurations



Multiple Actuator Configurations

1.1.3.2.8 Multiple Actuator Configurations

Total Input Power for Actuator Systems (kW), P_s :

$$P_s = \frac{\text{Input Power per Actuator (kW)} * \text{Number of Actuators}}{\text{Arrangement Efficiency} * \text{Gearbox Efficiency}}$$

Number of Actuators in Arrangement	2	3	4	6 → 8
Arrangement Efficiency (%)	95	90	85	80

Gearbox Efficiency = Bevel Gearbox Efficiency * Reduction Gearbox Efficiency

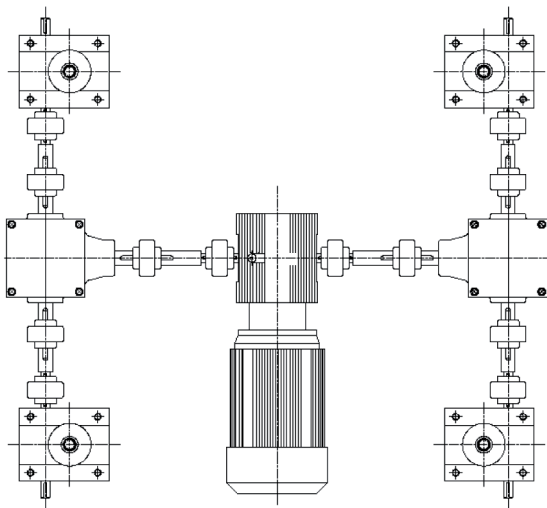
Bevel Gearbox Efficiency = 95% Typical (refer to 4.0).

Reduction Gearbox Efficiency = Consult unit details, if no reduction gearbox present assume efficiency of 100%

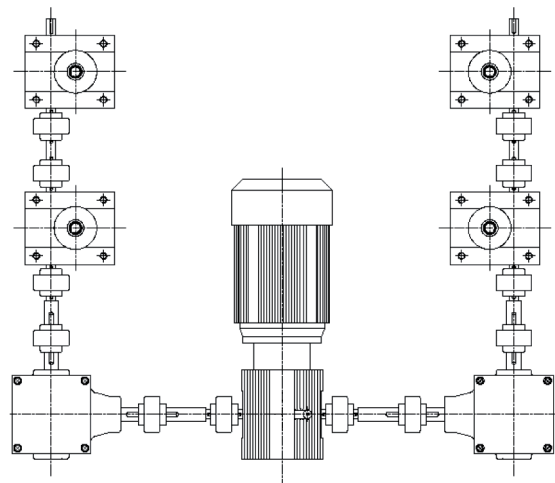
Note For actuators connected in-line the worm shaft can transmit up to 3 times the torque for a single actuator at its maximum capacity, except the 1820 Unit which can transmit 1.5 times the torque (refer 1.5.2.2.2.).

1.1.3.2.9 Typical System Configurations

'H' and 'U' configured actuator systems are typical and include actuators, motor, bevel gearboxes, reduction gearboxes, drive shafts, couplings and plummer blocks.

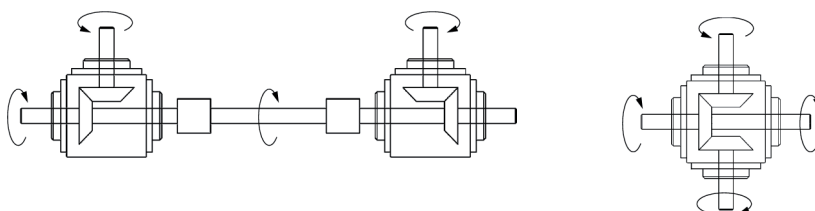


'H' Configuration



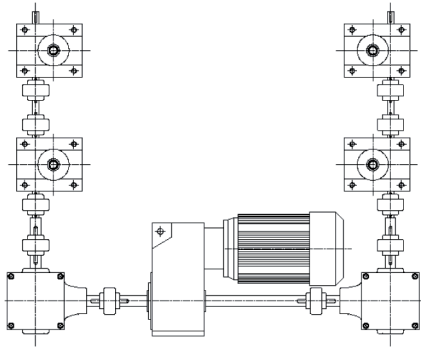
'U' Configuration

Actuator arrangements can be built in many formats with the use of bevel gearboxes which allow the direction of drive rotation to be selected on assembly. The gearboxes come in 2, 3 and 4 way drive types (refer 4.0).

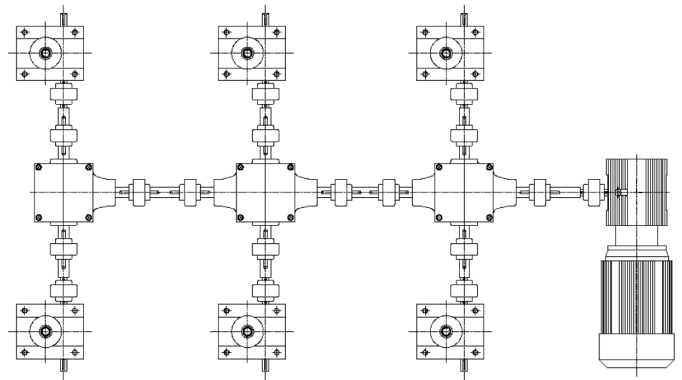


Multiple Actuator Configurations

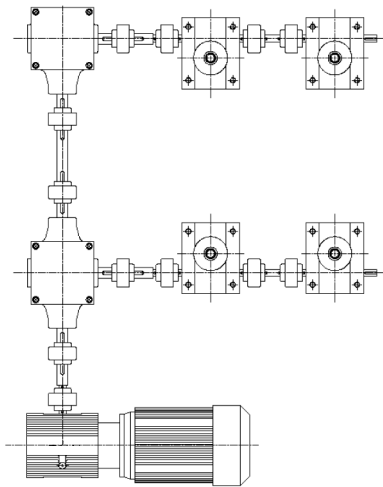
1.1.3.2.10 Other System Configurations



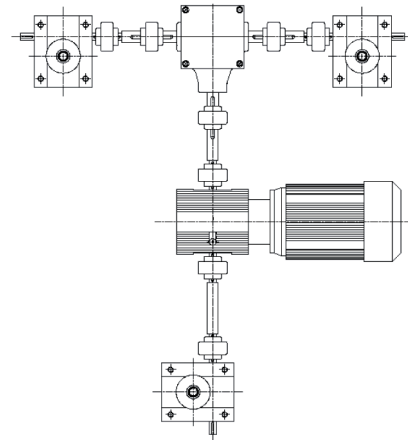
'U' Configuration



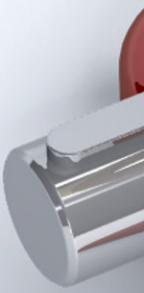
'2U' Configuration



'E' Configuration



'TF' Configuration



PRECISION SCREW JACKS . ELECTRIC LINEAR ACTUATORS .
PLANETARY ROLLER SCREWS . SPIRAL BEVEL GEARBOXES .

Power Jacks are an industry leader in the manufacture of quality industrial lifting, positioning, material handling and power transmission equipment. The products are supplied globally to most industry sectors including nuclear, water, oil & gas, chemical, defence, steel, aluminium, automotive, and others.

DESIGN WITH POWER



Head Office
South Harbour Road
Fraserburgh
Aberdeenshire
AB43 9BZ
Scotland (UK)

Tel: +44 (0)1346 513131
Fax: +44 (0)1346 516827
www.powerjacks.com
sales@powerjacks.com



FM 23810