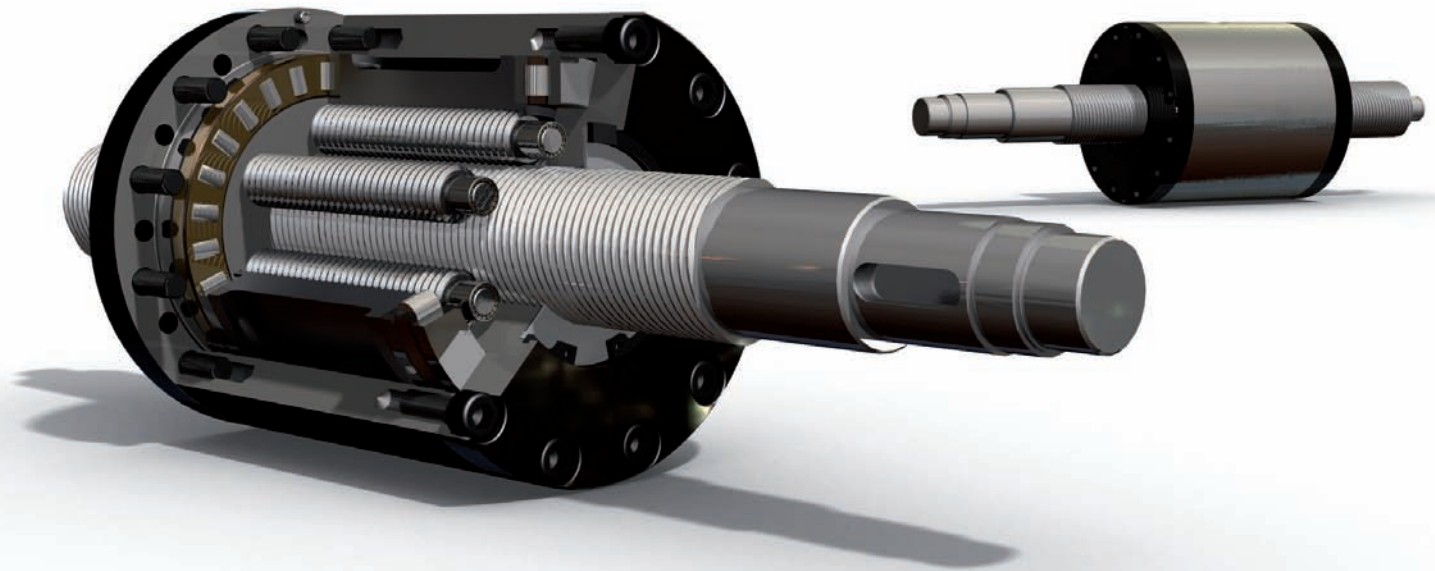


HIGH EFFICIENCY

Planetary roller screw

Spiracon™



Spiracon™

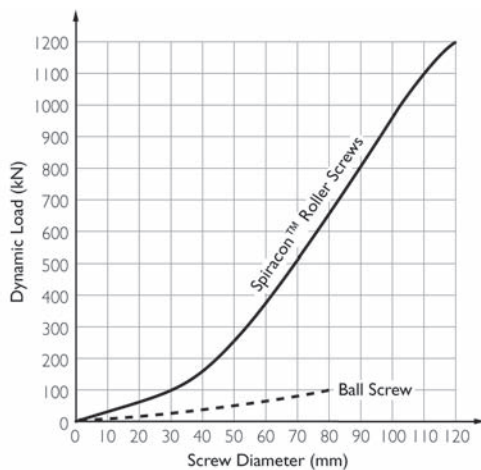
Converting rotary motion to linear movement, the system consists of a multi-start screw with an involute thread form and a number of planetary rollers with annular grooves, which engage with the screw.

The rollers also engage with a grooved load bearing element, which transmits the load through roller thrust bearings, to the nut housing.

The rolling action results in a high efficiency mechanism, while the line contact and hardened and ground construction achieve a high dynamic load carrying capacity, together with almost no axial backlash or wear.

Go beyond the performance of ball screw with our highly efficient Spiracon™ planetary roller screw. It is a unique concept, to meet unique needs.

- Continuous duty
- High dynamic load capacity from 45 kN to 1200 kN
- High efficiency, low noise
- High positional accuracy
- Long Life
- Low maintenance
- Nut Housings to customer specification that can include features like Threaded End, B5-Flange, B14-Face, Trunnion etc.
- Screw journals manufactured to customer requirements.



Advantages over Ball Screws

- Higher dynamic load capacity
- Larger diameters and higher leads
- Higher positional accuracy
- Longer life
- Higher stiffness
- Higher speed and acceleration
- Low temperature operation
- Lower noise
- Nut easily removed with rollers retained
- Higher safety

Technical Dimensions Chart

Model	Lead (mm)	Pitch (mm)	Dynamic C (kN) Load Capacity	Static Co (kN) Load Capacity
15	12	2	35	52
20	12	2	58	87
	18	3	50	74
30	18	3	90	120
	24	3	105	150
40	12	2	120	180
	24	3	128	192
	32	4	115	172
45	12	2	190	285
	24	4	170	255
	48	6	120	180
55	12	2	290	435
	24	4	270	405
	48	6	275	410
65	24	4	340	500
	36	6	310	465
	54	6	310	455
75	24	4	380	570
	36	6	340	510
	54	6	340	510
90	24	4	530	795
	36	6	520	780
	54	6	615	920
120	24	4	950	425
	40	5	1200	1800
	54	6	1200	1800

PRECISION SCREW JACKS . ELECTRIC LINEAR ACTUATORS .
PLANETARY ROLLER SCREWS . SPIRAL BEVEL GEARBOXES .

Power Jacks are an industry leader in the manufacture of quality industrial lifting, positioning, material handling and power transmission equipment. The products are supplied globally to most industry sectors including nuclear, water, oil & gas, chemical, defence, steel, aluminium, automotive, and others.

DESIGN WITH POWER

Head Office
South Harbour Road
Fraserburgh
Aberdeenshire
AB43 9BZ
Scotland (UK)

Tel: +44 (0)1346 513131
Fax: +44 (0)1346 516827
www.powerjacks.com
sales@powerjacks.com



FM 23810