

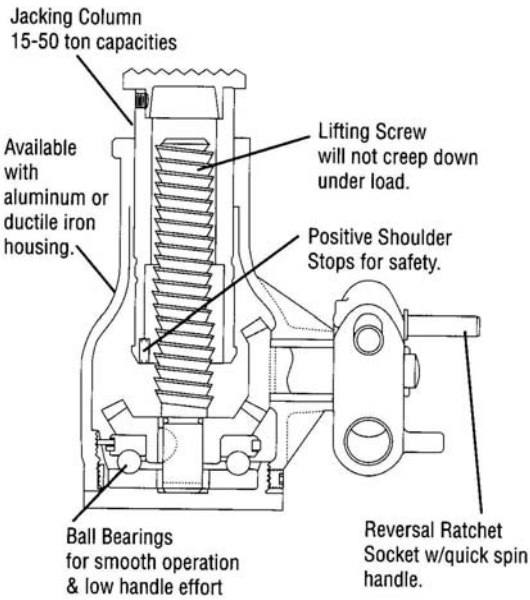
JOURNAL JACKS



Journal Jacks provide trouble-free service in the roughest applications.

Steel Fabrications use Journal Jacks in rough environments.

DIAGRAM **BENEFITS / FEATURES**



Journal Jacks are widely used for bridge, tank and structural steel work, shipbuilding, and any other industry where powerful, all-position jacks are required.

Caps and gears are heat-treated steel forgings. Beveled gear construction combines the best principles of ratchet and screw jacks to provide fast, precise lifting of heavy loads with a **minimal amount of handle effort**. Buttress threads will not creep down under load.

Fully enclosed ratchet mechanisms are included on all models. Models with capacities from 25 to 50 tons are available with ductile iron or aluminium housings.

- **9 Models.**
- **Holds the load indefinitely without creep down**
- **Positive stop.**
- **High capacities.**
- **Low handle efforts.**

Journal Jacks

Model Number	Cap		Min Height		Stroke		Handle effort per ton		Base Dia		Weight		Steel Lever Bars															
	tons	kg	in	mm	in	mm	lbs	kg	in	mm	lbs	kg	Model Number	Length		Dia.		Weight										
														in	mm	in	mm	in	mm									
A1510C	15	13607	10 ¼	260	5	127	9	4.1	5 ½	140	28	12.7	10640	36	914	1	25.4	8	203									
2510C	25	22679					43	19.5			6	2.7								34	15.4	43	19.5					
A2510C							15	381												9	228	44	20	34	15.4			
A2515C			80	36.3	61	27.7																						
3510D			35	31751	10 ¼	260	5	127												5	2.3	7 ¼	184	80	36.3	10660	56	1422
A3510D	61	27.7																										
5010B	50	45359							10 ⁵ / ₁₆	262	4	101	4	1.8														
A5010B			61	27.7																								