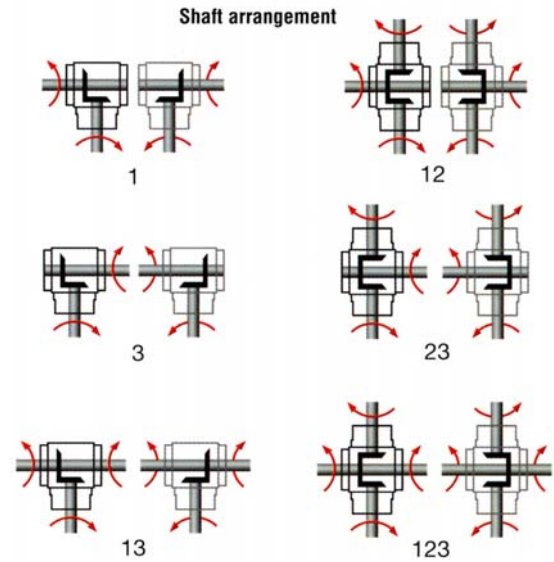
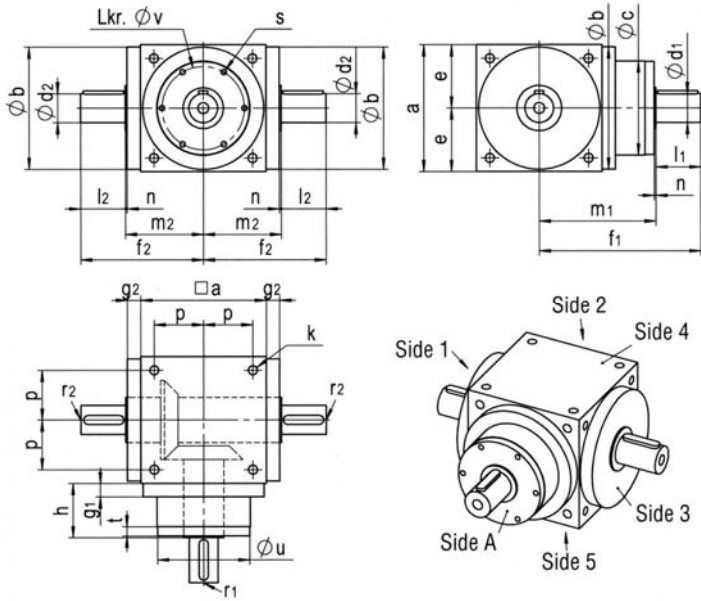


DATA SHEET POWERGEAR P360

Series L



right view in each case = mirrored presentation

Dimension	P360L 1:1 to 5:1
a	360
Øb h7	350
Øc	210
Ød1 j6	75
Ød2 j6	75
e	180
f1	445
f2	325
g1	22
g2	22
h	145
k	M20
l1	120
l2	120
m1	325
m2	202
n	3
p	140
r1 / r2	M20
s	on request
t	on request
Øu g6	on request
Øv	on request
Key	20x12x110
acc. to DIN6885/1	

P360L units have an extra cap centrally mounted on side 4 of gearbox
P360L cap = Ø350x22
Constructional modifications reserved

Performance	PowerGear	P360
1:1	Output Torque, M2 (Nm)	3750
1.5:1	Output Torque, M2 (Nm)	3550
2:1	Output Torque, M2 (Nm)	3500
3:1	Output Torque, M2 (Nm)	3350
4:1	Output Torque, M2 (Nm)	2900
5:1	Output Torque, M2 (Nm)	2600
Max. Speed	Input Speed, N1 (rpm)	1500
at 2% max. load	standard output backlash (arcmin) minimum output backlash (arcmin)	8.5 -11.0 5 - 7
Allowable Radial load (N)	Input shaft d1 Output shaft d2	on request on request
Allowable Axial Load (N)	Input shaft d1 Output shaft d2	on request on request
Weight (kg)		240
Thermal	Performance limit (kW)	83