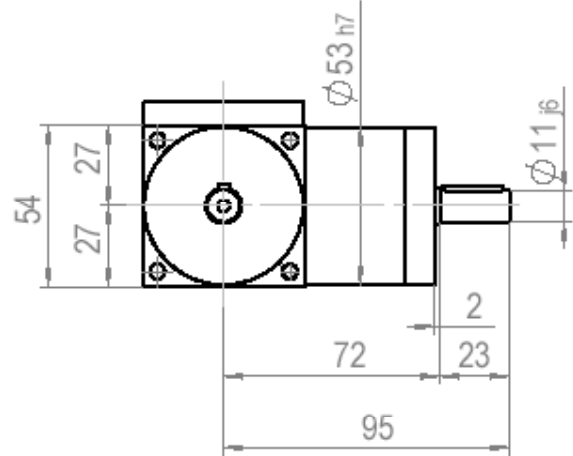
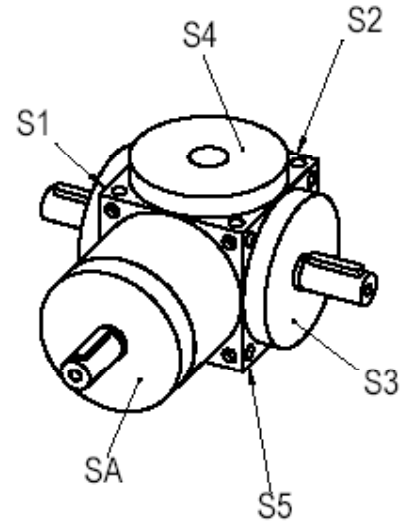
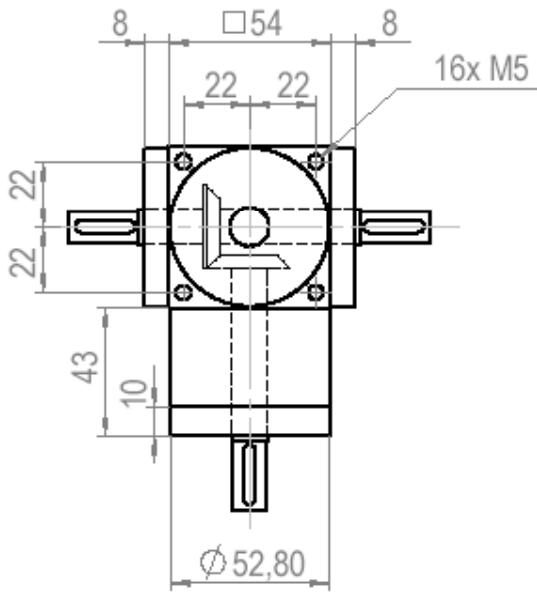


Range – PowerGear



Model : P54 & X54



PowerGear	P54	X54
1:1 Output Torque (Nm)	12	17
1.5:1 Output Torque (Nm)	12	-
2:1 Output Torque (Nm)	12	-
3:1 Output Torque (Nm)	12	-
Max Input Speed	8000 rpm	
Standard Output Backlash	7 – 16 arcmin	
Minimum Output Backlash	4 – 8 arcmin	
Thermal Performance Limit	2.8 kW	
Weight	2.5kg	3.0kg
Permissible Radial Load on Shafts	150N	
Permissible Axial Load on Shafts	75N	