

**JOURNAL JACKS**

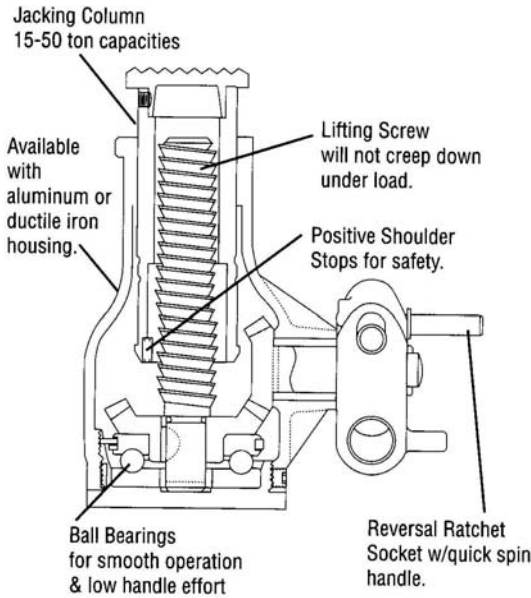


Journal Jacks provide trouble-free service in the roughest applications.



Steel Fabrications use Journal Jacks in rough environments.

**DIAGRAM** **BENEFITS / FEATURES**



Journal Jacks are widely used for bridge, tank and structural steel work, shipbuilding, and any other industry where powerful, all-position jacks are required. Caps and gears are heat-treated steel forgings. Beveled gear construction combines the best principles of ratchet and screw jacks to provide fast, precise lifting of heavy loads with a **minimal amount of handle effort**. Buttress threads will not creep down under load. Fully enclosed ratchet mechanisms are included on all models. Models with capacities from 25 to 50 tons are available with ductile iron or aluminium housings.

- **8 Models.**
- **Holds the load indefinitely without creep down**
- **Positive stop.**
- **High capacities.**
- **Low handle efforts.**

**Journal Jacks**

Model Number	Cap		Min Height		Stroke		Handle effort per ton		Base Dia		Weight		Steel Lever Bars						
	tons	kg	in	mm	in	mm	lbs	kg	in	mm	lbs	kg	Order	Length		Dia.		Weight	
														in	mm	in	mm	in	mm
A1510C	15	13607	10 ¼	260	5	127	9	4.1	5½	140	28	12.7	10640	36	914	1	25.4	8	203
2510C	25	22679					43	19.5											
A2510C							34	15.4											
A2515C			43	19.5															
3510D			44	20															
A3510D	35	31751	10 ¼	260	5	127	5	2.3			34	15.4							
5010B	50	45359	10 <sup>5</sup> / <sub>16</sub>	262	4	101	4	1.8	7¼	184	80	36.3	10660	56	1422	1⅞	28.6	16	406
A5010B											61	27.7							