

Performance

| Series 39 | | |
|------------------|---------------|-----------|
| Torque (Nm) | Nominal#1 | 481 |
| | Max Running#2 | 935 |
| | Max Start-Up | 1403 |
| Input Speed | Max (rpm) | 3000 |
| Thermal Limit | Power (kW) | 49 |
| Backlash | arcmin | 7 to 10 |
| Efficiency | (%) | 95% - 98% |
| Service Life | (hours) | >10000 |
| Housing Material | | SG Iron |
| Oil Quantity | Litres | 1.71 |
| | Pints | 3 |
| Weight (kg) | 2 Way - 2:1 + | 45 |
| | 3 Way - 2:1 + | 53 |

Notes:

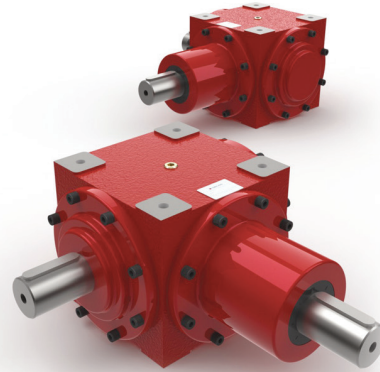
#1 Nominal torque values at running speeds of 1500 rpm

#2 Maximum running torque value at speed of 10 rpm

Full detailed performance for each unit refer to page 12 & 13

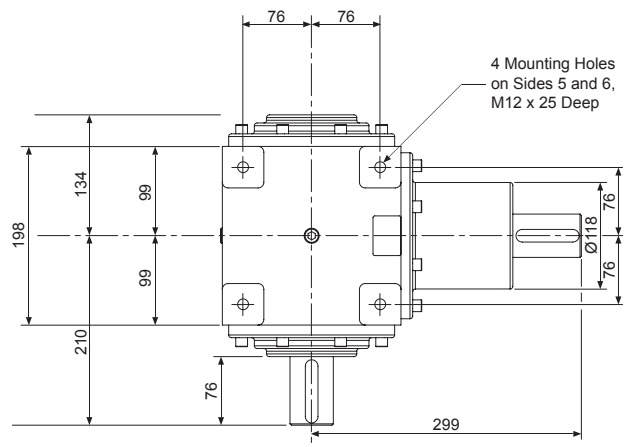
2 Way Solid Shaft

N390S20-20

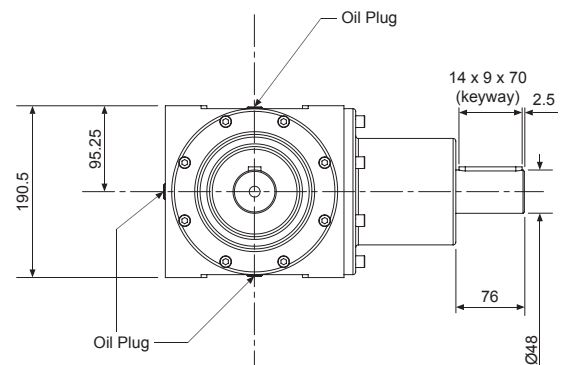


Accessories & Options

| | | | |
|--|---------------------------------|--|----------------------|
| | Special Gear Ratio | | Motor Flange |
| | Extended Drive Shaft | | Limit Switches |
| | Drives | | Light Weight Design |
| | Reinforced Shaft OR High Torque | | Breather |
| | 90° Breather | | Mounting Feet |
| | Shaft Cover | | Stainless Steel |
| | Submersible | | Corrosion Protection |
| | Nuclear Rated | | Food Grade |
| | Low Temperature | | High Temperature |



Tapped hole in end of each solid drive shaft - M12 x 30mm Deep



Notes:

1. All dimensions in mm unless otherwise stated
2. Dimensions subject to change without notice