

# Range-N

Series 40  
Ratio All

## Performance

Series 40		
Torque (Nm)	Nominal#1	1353
	Max Running#2	3088
	Max Start-Up	4632
Input Speed	Max (rpm)	3000
Thermal Limit	Power (kW)	90
Backlash	arcmin	7 to 10
Efficiency	(%)	95% - 98%
Service Life	(hours)	>10000
Housing Material		SG Iron
Oil Quantity	Litres	3.27
	Pints	5.75
Weight (kg)	2 Way - 1:1 & 1.5:1	112
	2 Way - 2:1 +	126.5
	3 Way - 1:1 & 1.5:1	116
	3 Way - 2:1 +	131

### Notes:

#1 Nominal torque values at running speeds of 1500 rpm

#2 Maximum running torque value at speed of 10 rpm

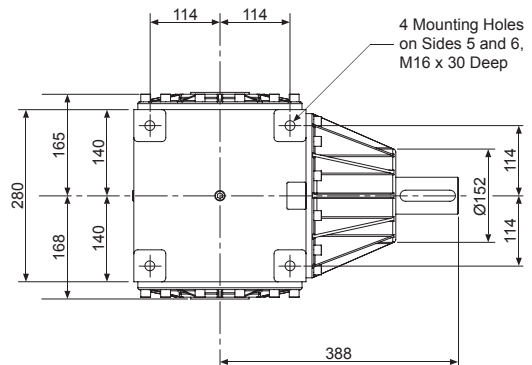
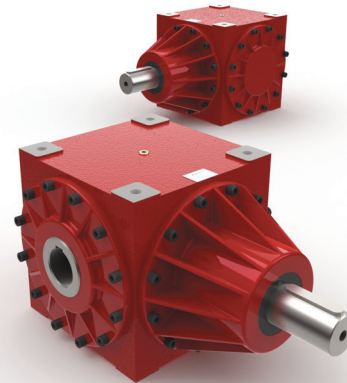
Full detailed performance for each unit refer to page 12 & 13

## Accessories & Options

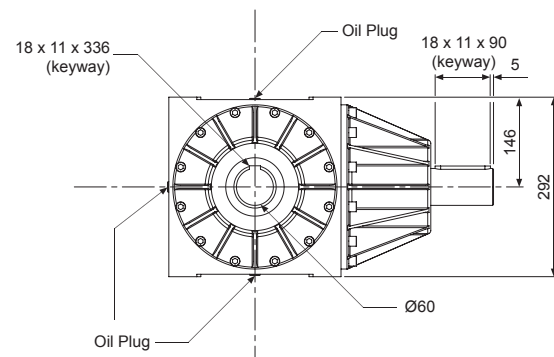
	Special Gear Ratio		Motor Flange
	Extended Drive Shaft		Limit Switches
	Drives		Light Weight Design
	Reinforced Shaft OR High Torque		Breather
	90° Breather		Mounting Feet
	Shaft Cover		Stainless Steel
	Submersible		Corrosion Protection
	Nuclear Rated		Food Grade
	Low Temperature		High Temperature

## 2 Way Hollow Shaft

N400H20-10



Tapped hole in end of each solid drive shaft - M16 x 38mm Deep



### Notes:

1. All dimensions in mm unless otherwise stated
2. Dimensions subject to change without notice