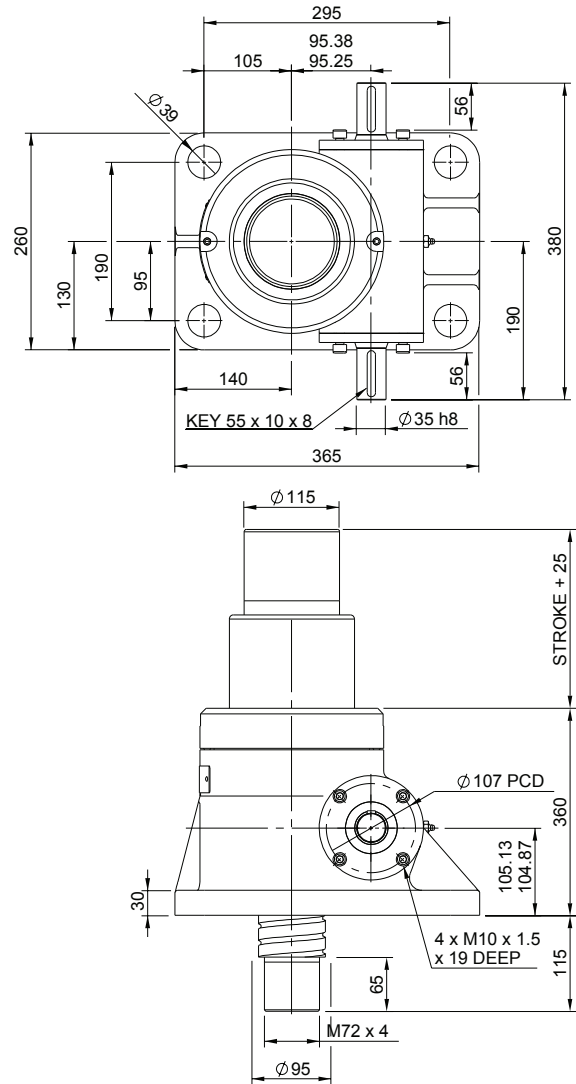
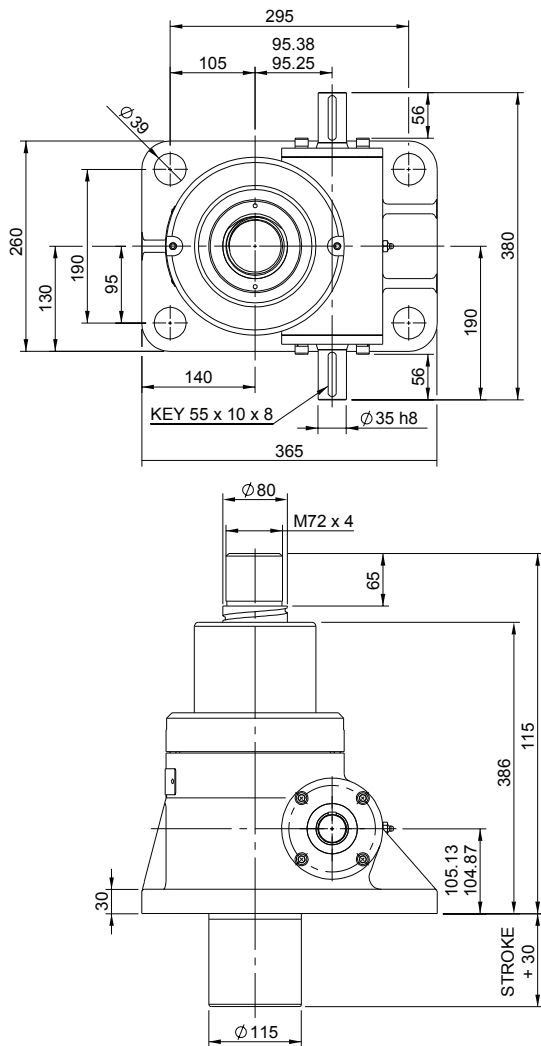


Upright EBT0300-U00

Inverted EBT0300-I00



EBT0300-U00

Closed Height

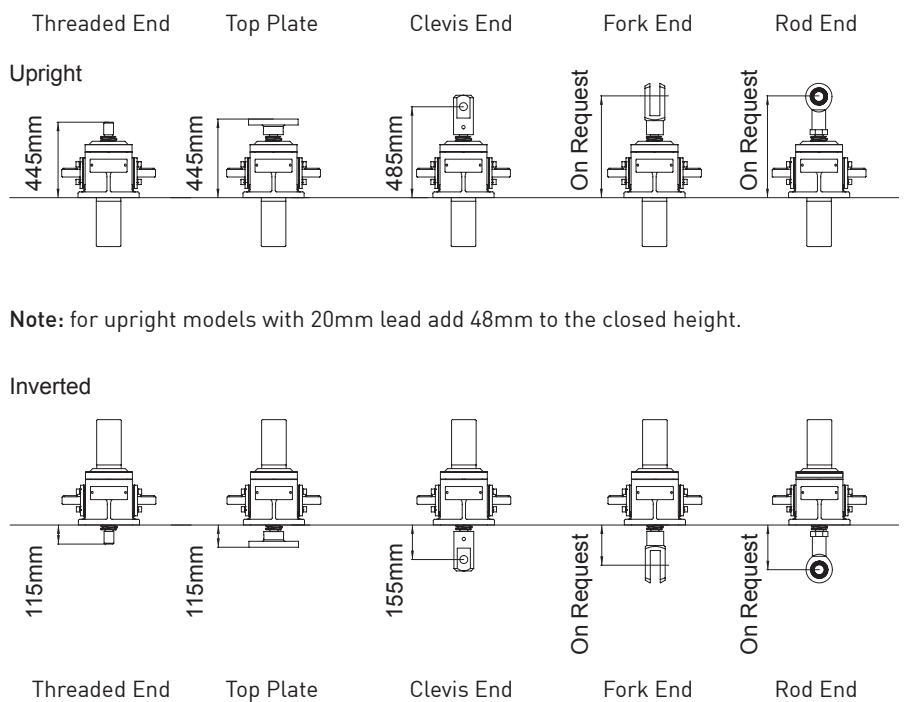


Translating Screw

EBR0300-U00



Rotating Screw

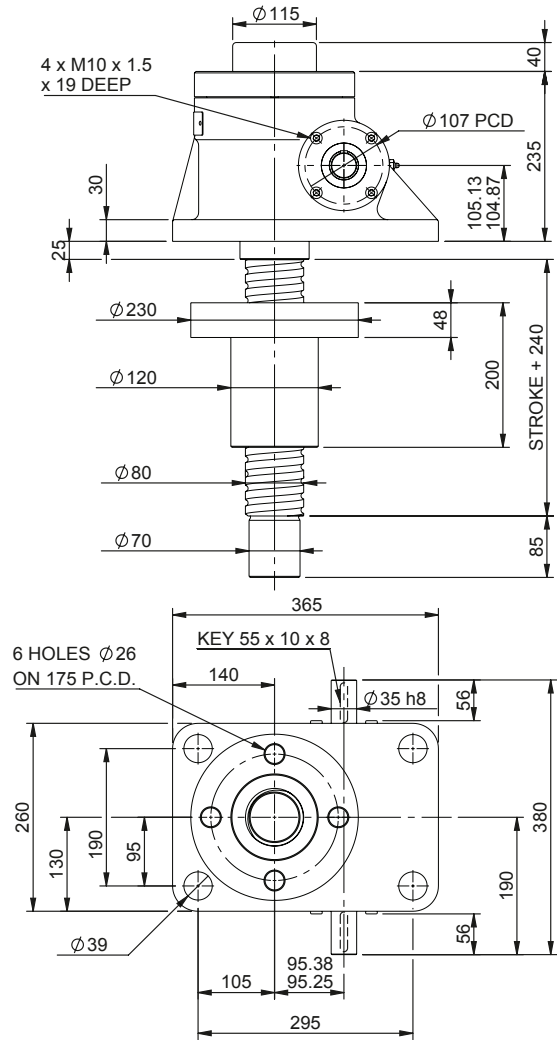
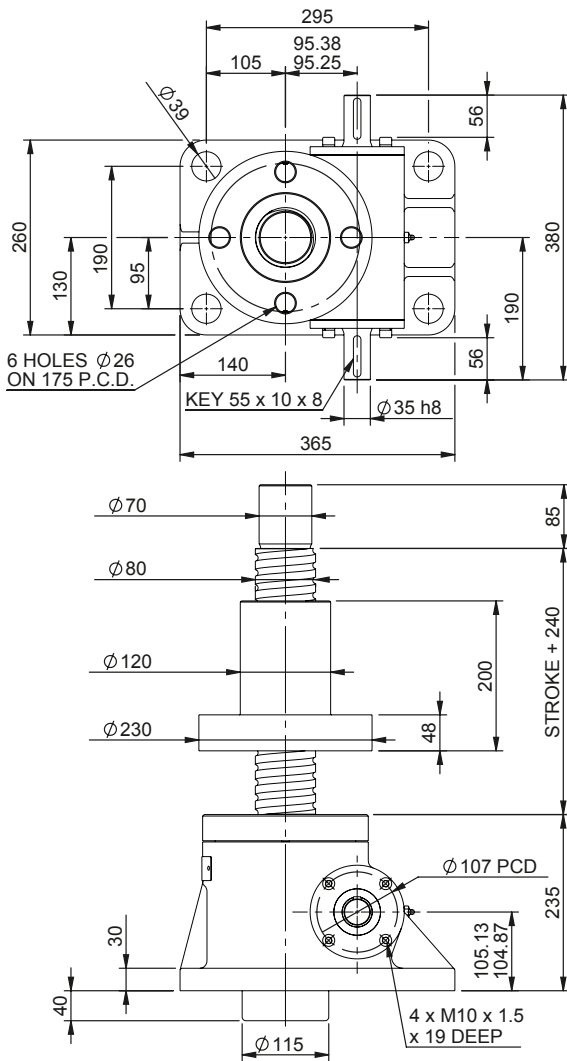


Note: for upright models with 20mm lead add 48mm to the closed height.

Note: All dimension in millimetres unless otherwise stated. Designs subject to change without notice

Upright EBR0300-U00

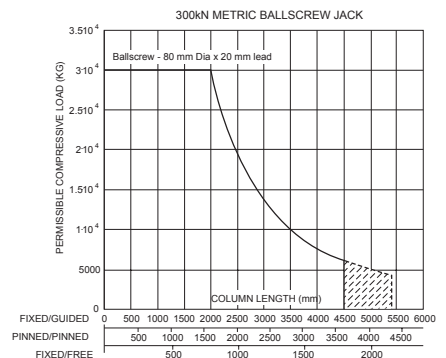
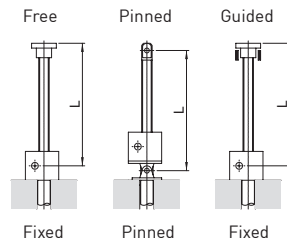
Inverted EBR0300-I00



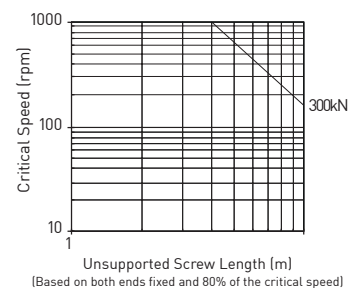
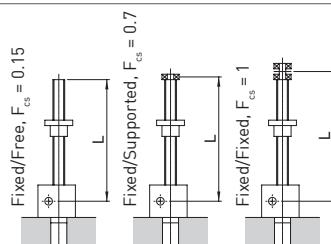
Performance

Column Strength

| Model | | EBR0300 EBT0300 |
|-----------------------------------|------------------------------|--------------------|
| Capacity | kN | 300 |
| Lifting Screw | Diameter (mm) | 80 |
| | Lead | Option mm |
| Gear Ratio Option 1 | Gear Ratio | 10 2/3:1 |
| | Screw Jack Static Efficiency | 0.492 |
| Gear Ratio Option 2 | Screw Jack Static Efficiency | 0.337 |
| | Screw Jack Static Dynamic | 0.595 |
| Max. Input power (kW) | Gear Ratio Option 1 | 6.0 |
| | Gear Ratio Option 2 | 1.9 |
| Start up torque at full load (Nm) | Gear Ratio Option 1 | 0.278 |
| | Gear Ratio Option 2 | 0.371 |



Critical Screw Speed



Note: All dimension in millimetres unless otherwise stated. Designs subject to change without notice